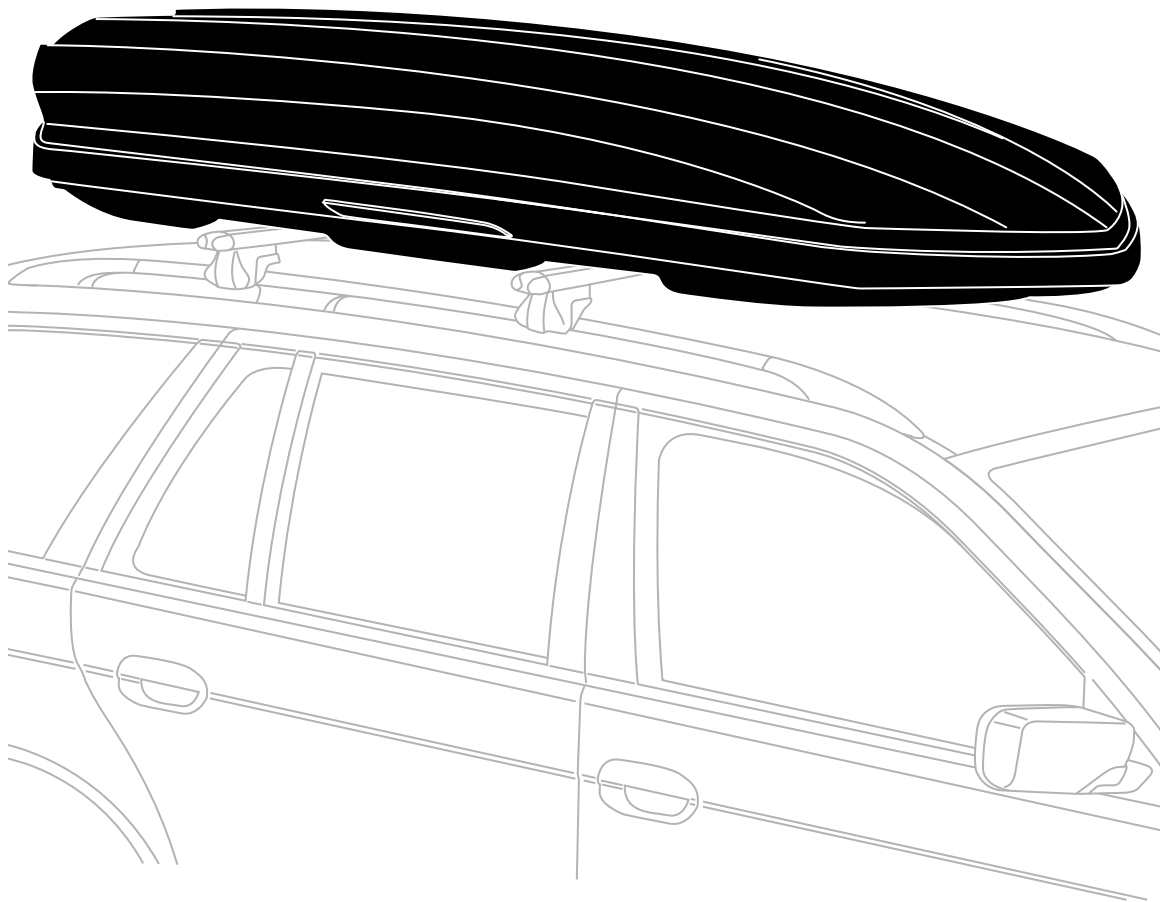
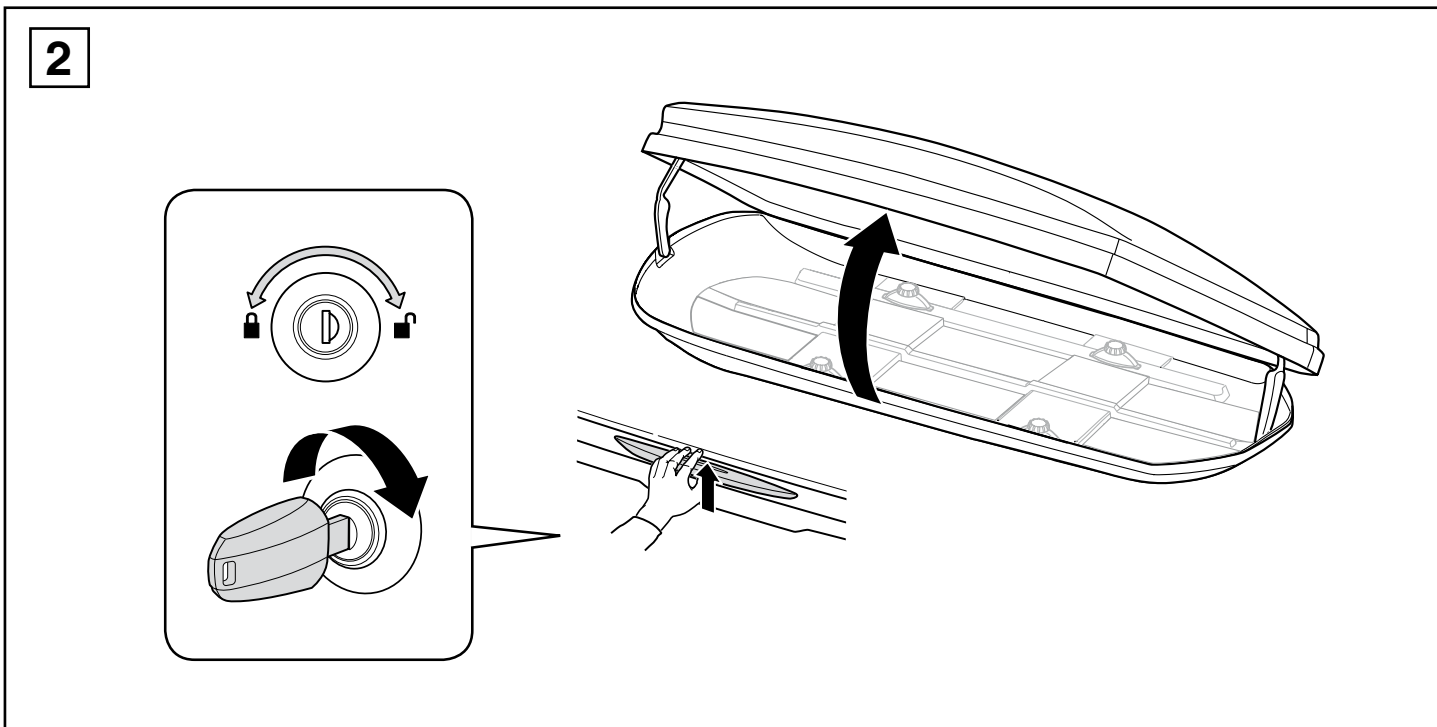
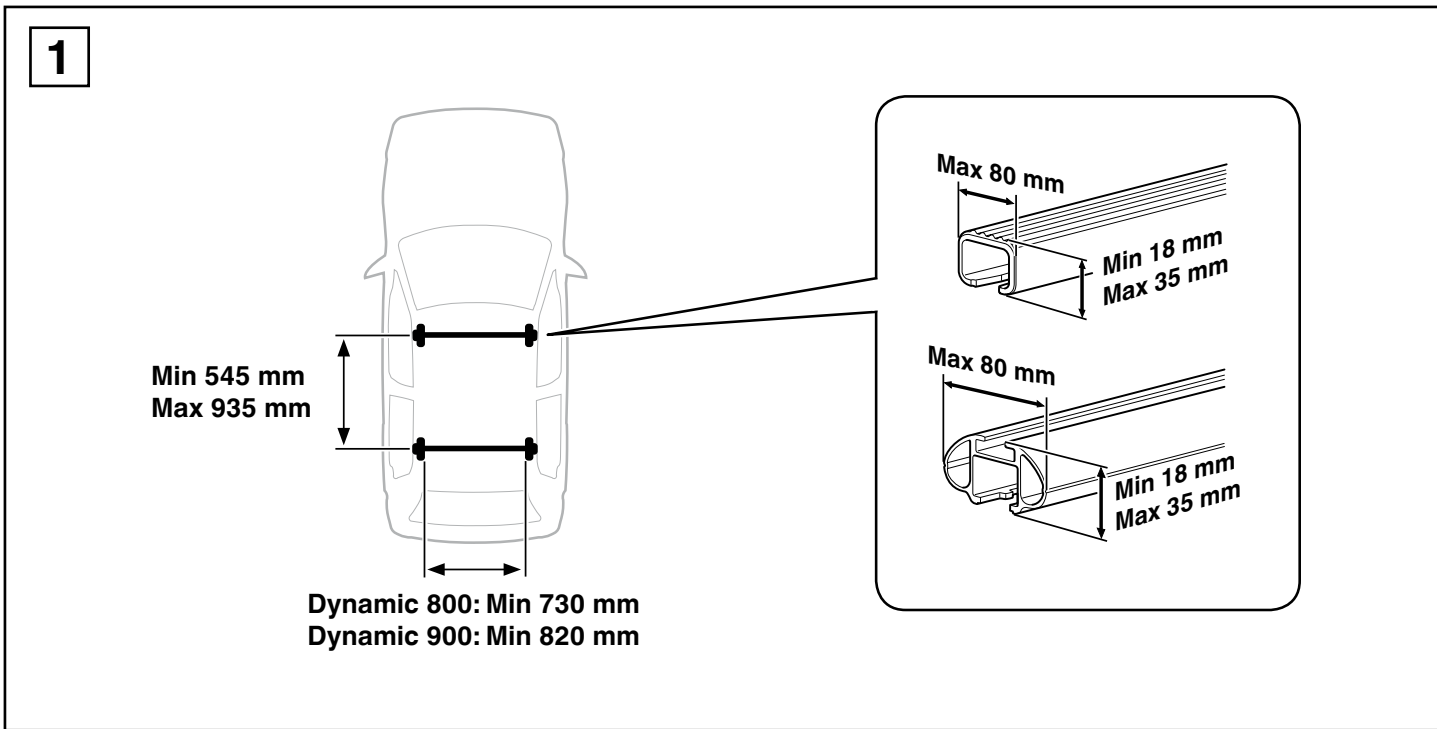
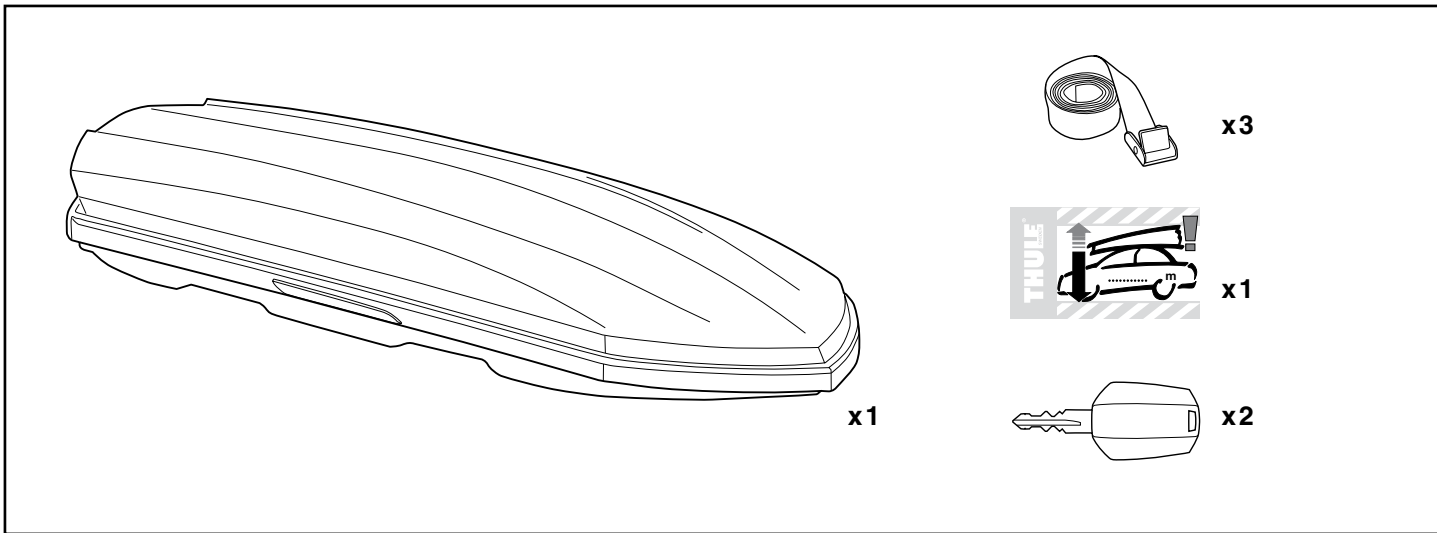


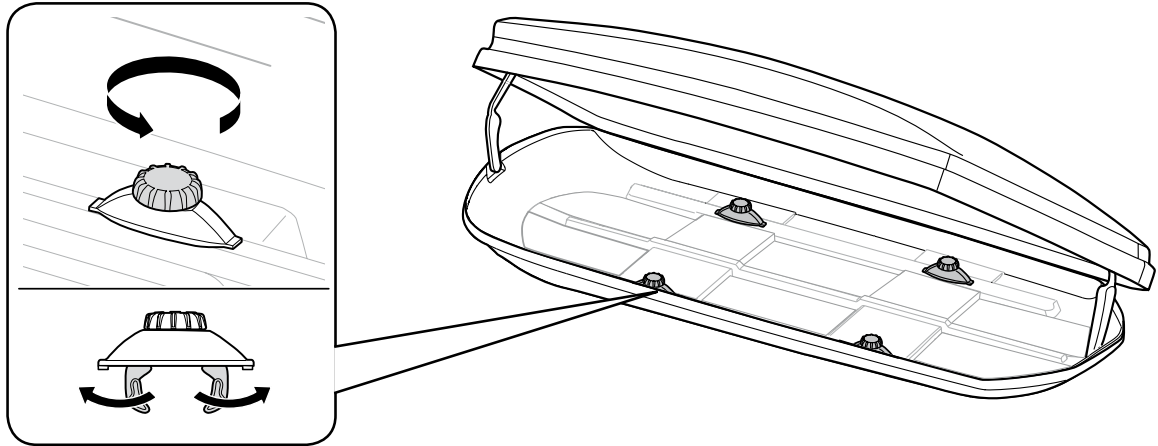
# Instructions

# Dynamic

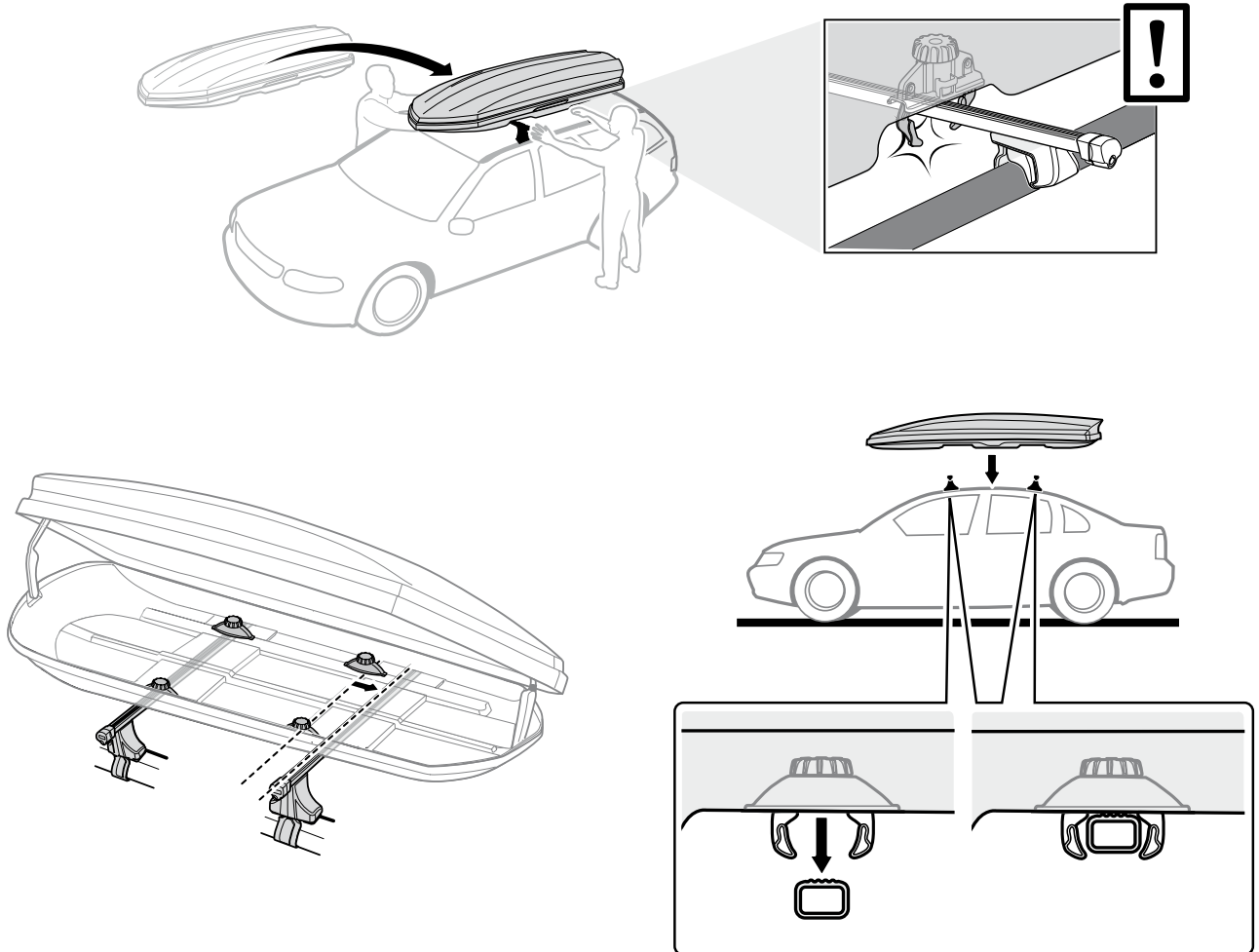




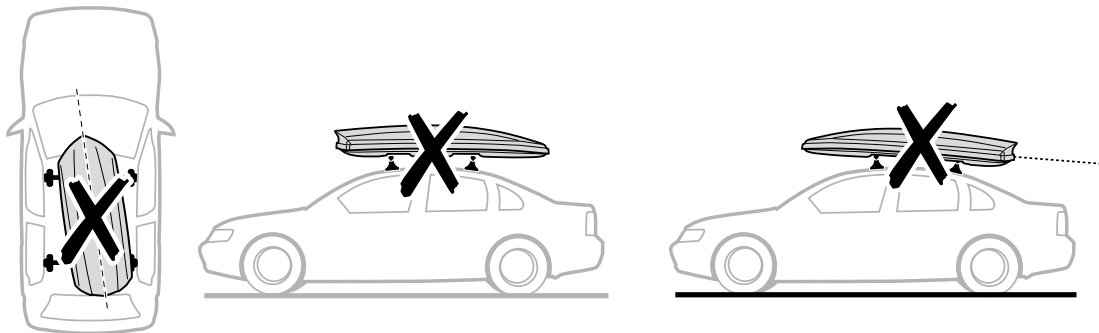
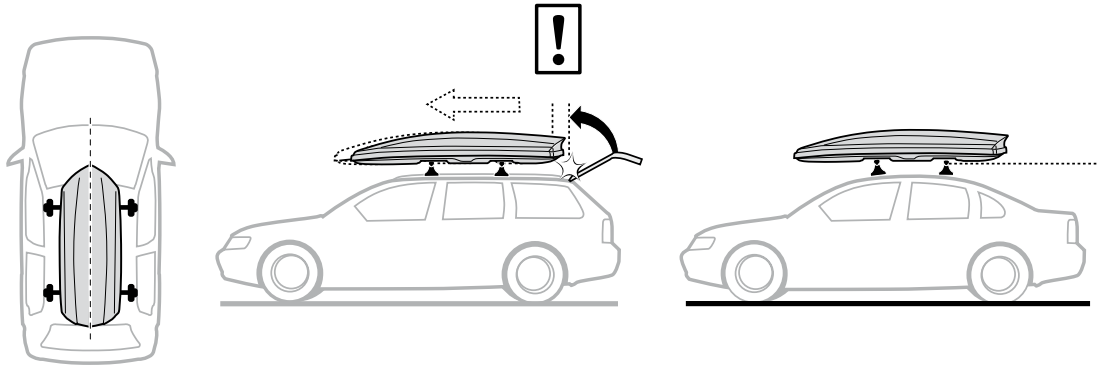
3



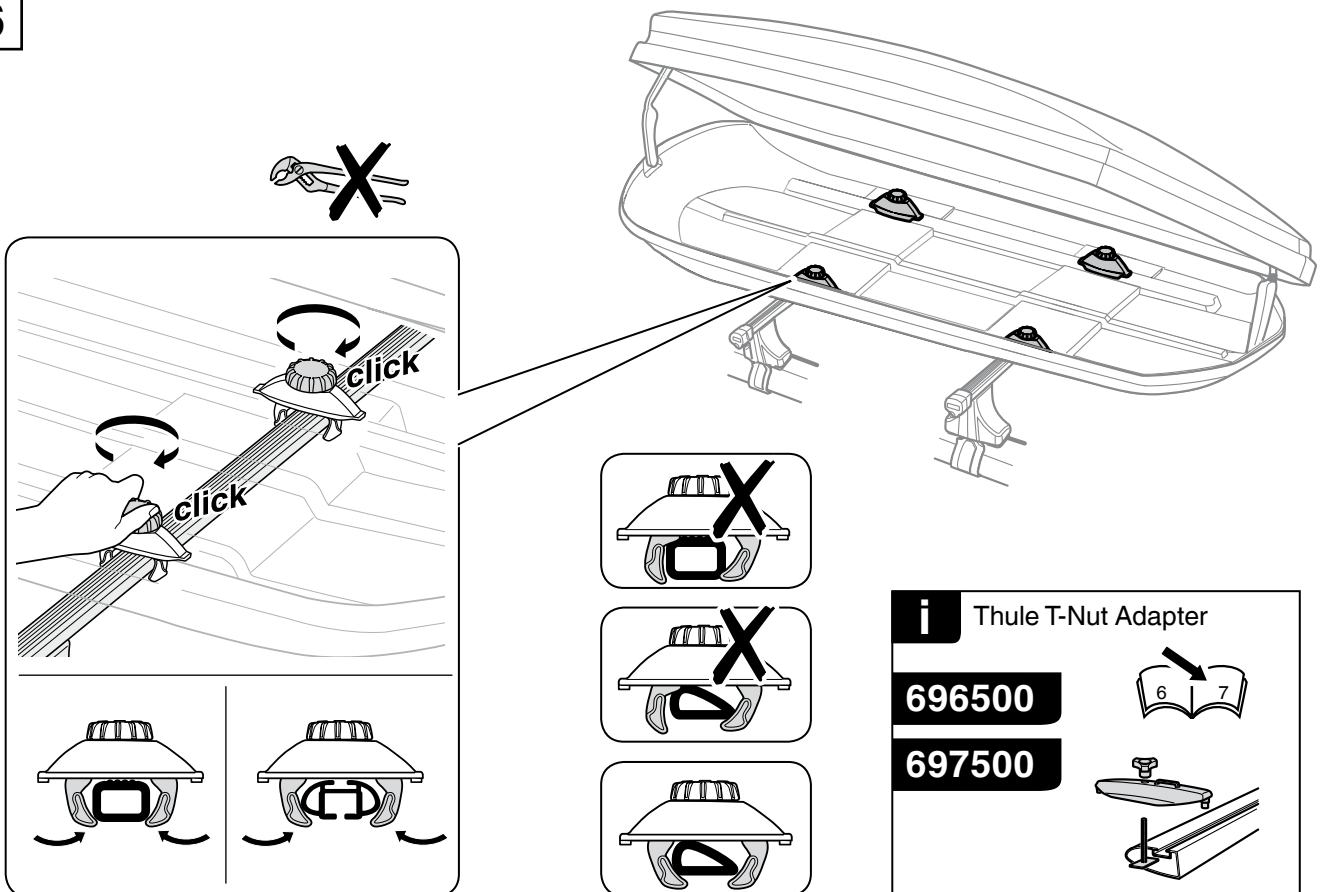
4



5



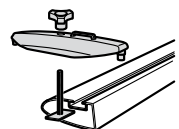
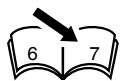
6



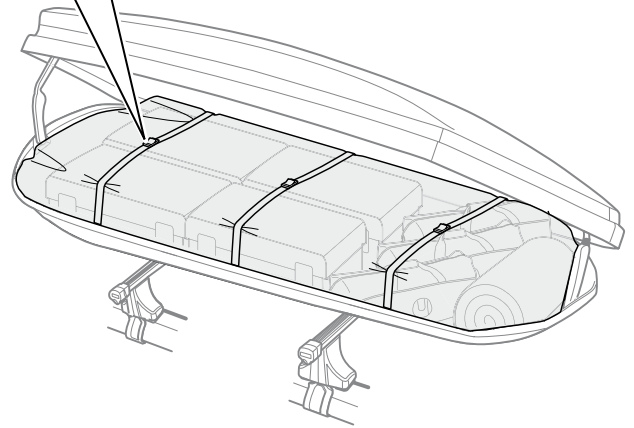
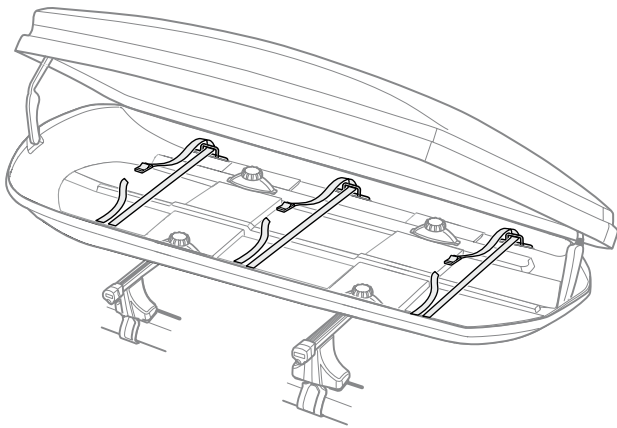
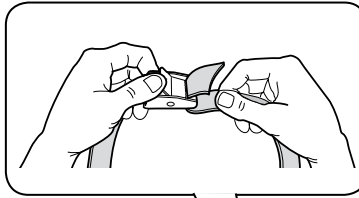
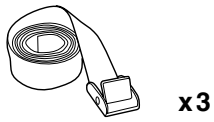
**i** Thule T-Nut Adapter

696500

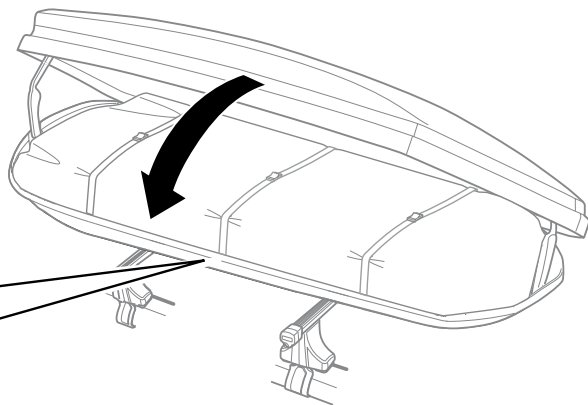
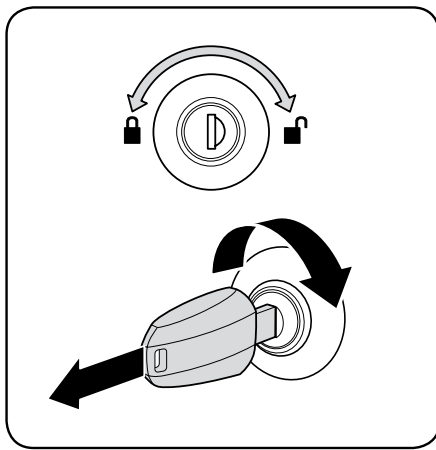
697500



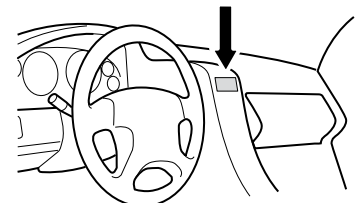
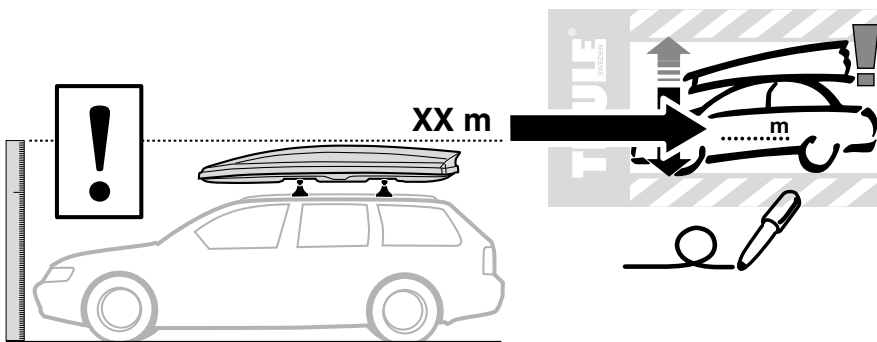
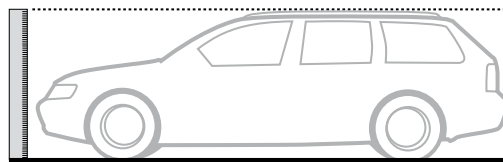
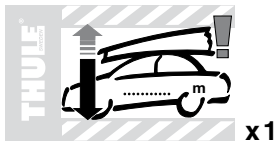
7

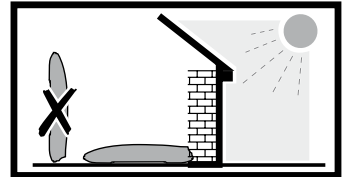
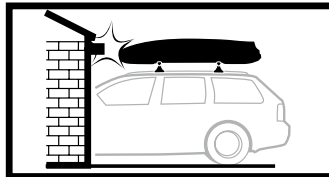
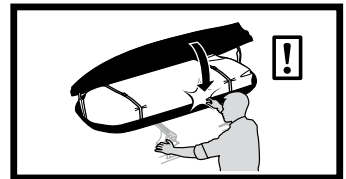
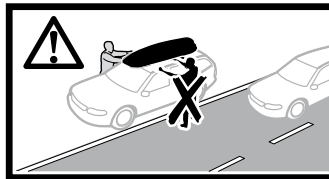
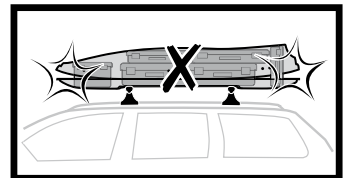
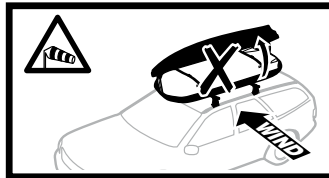
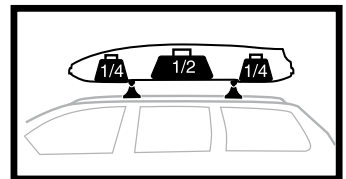
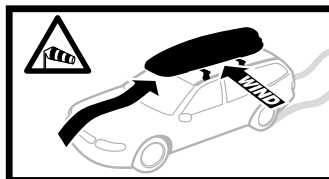
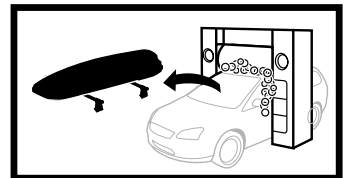
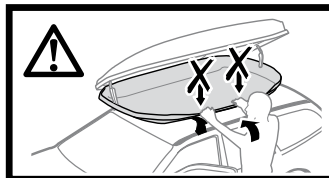
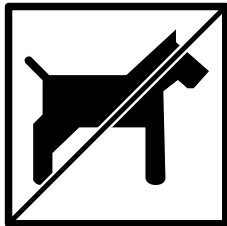
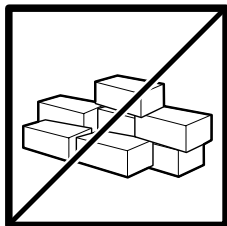
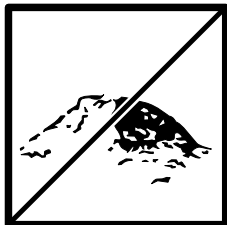
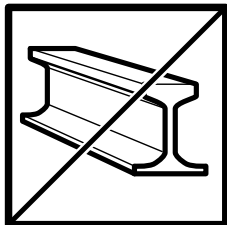
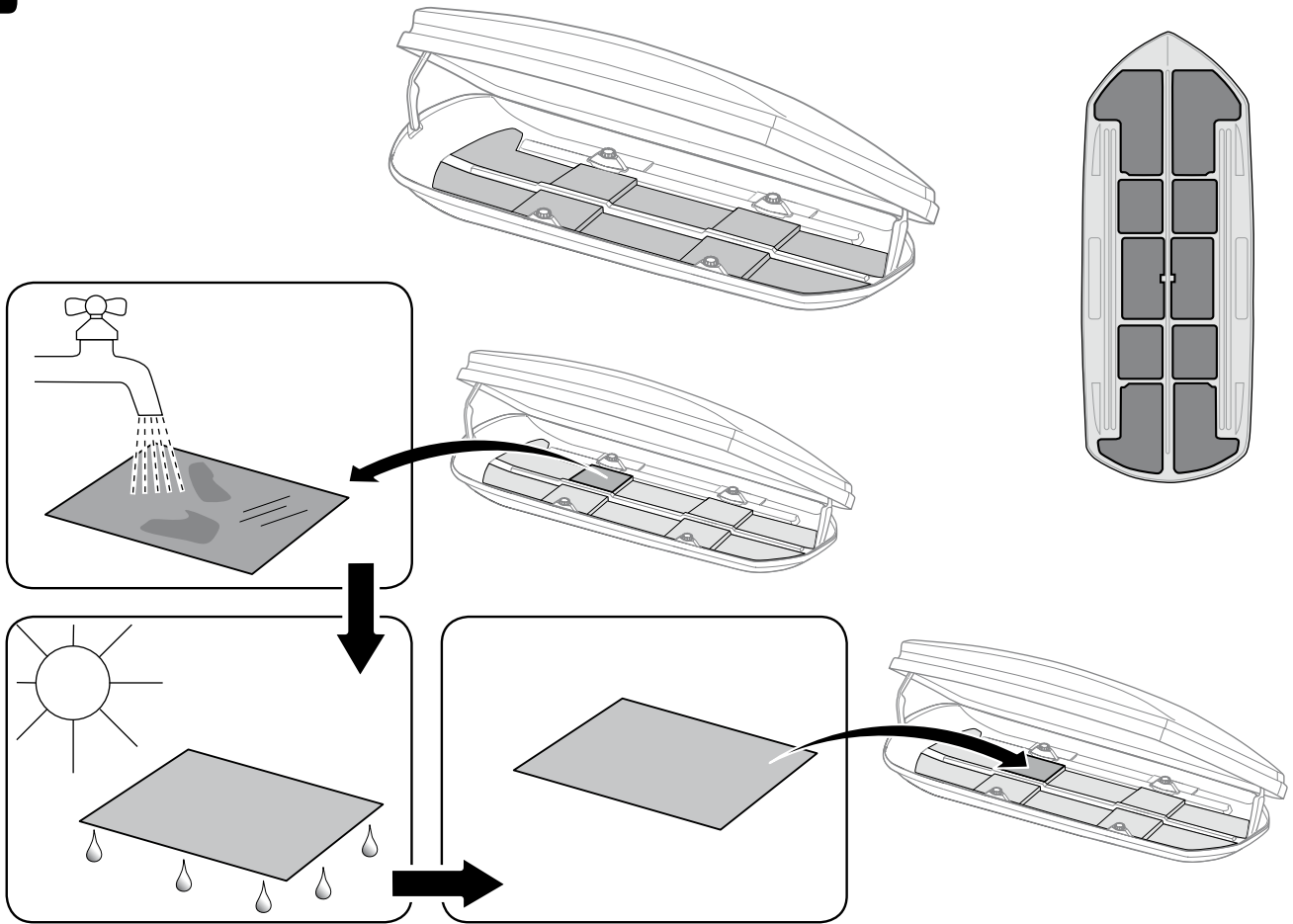


8



9

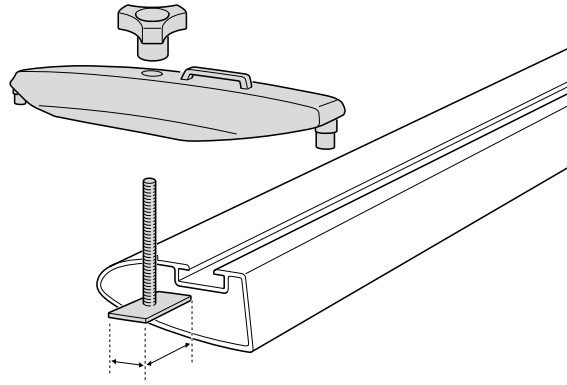




**i** Thule T-Nut Adapter

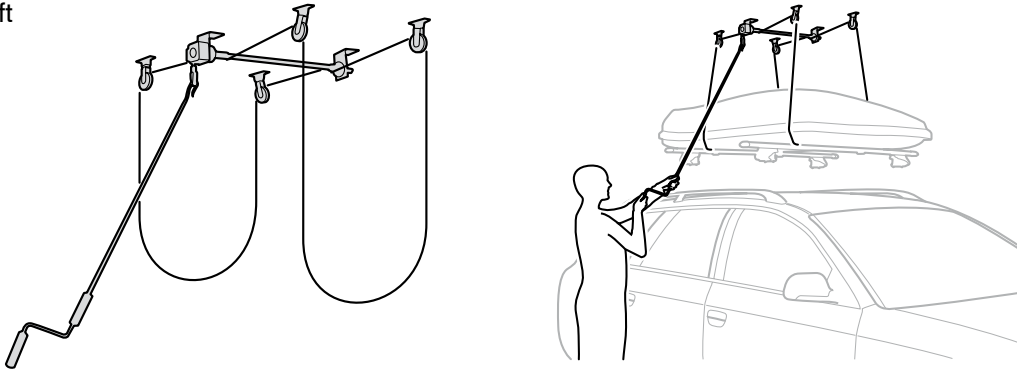
**696500** → 24x30 mm

**697500** → 20x27 mm



**i** Thule Boxlift

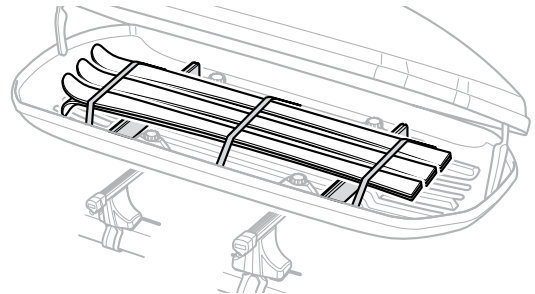
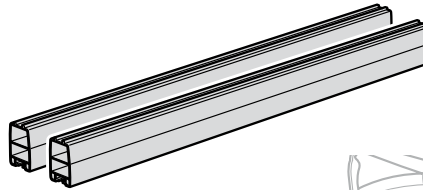
**571000**



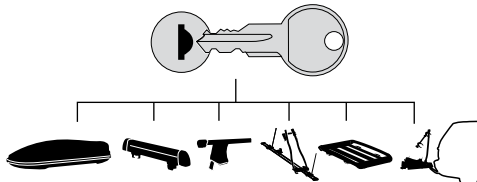
**i** Thule Skicarrier

**694800** → Dynamic 800

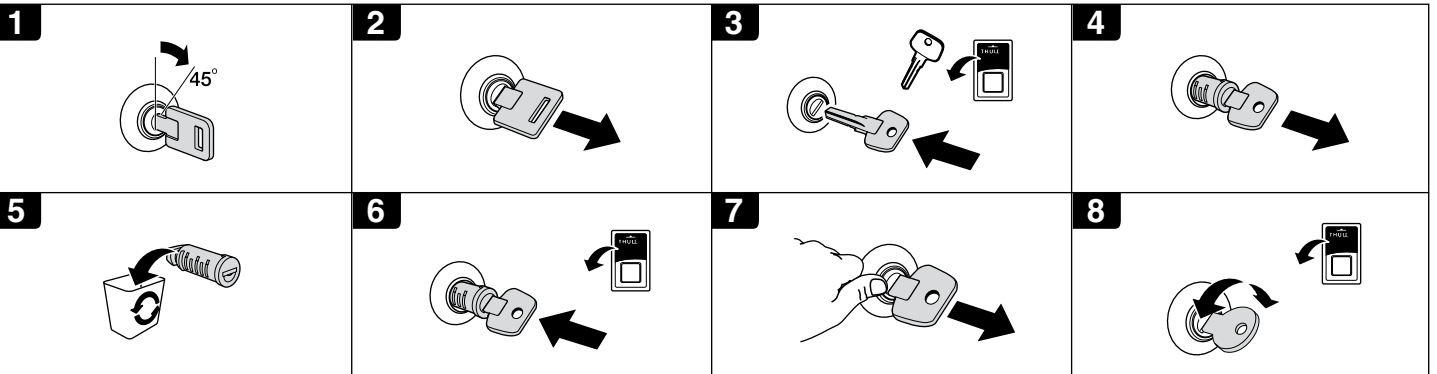
**694900** → Dynamic 900

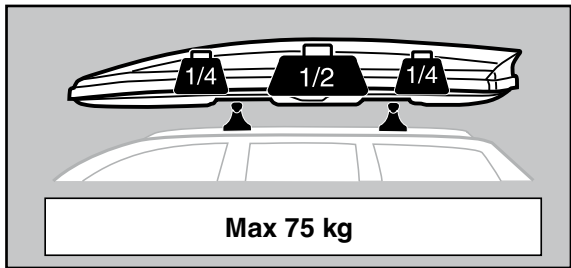
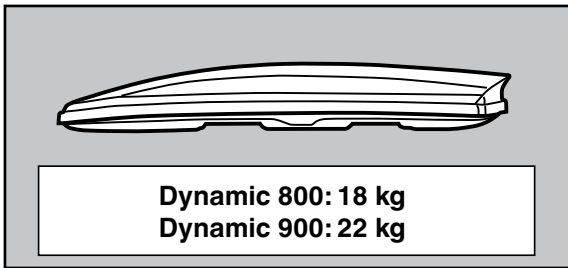


**THULE**  
SWEDEN  
**ONE**  
**KEY**  
**SYSTEM**



- 544 (x4)
- 596 (x6)
- 588 (x8)
- 452 (x12)





Kaufdatum / Date of purchase:

Händler / Dealer:

Stempel / Stamp

Kassenzettel hier abheften  
Place receipt here

